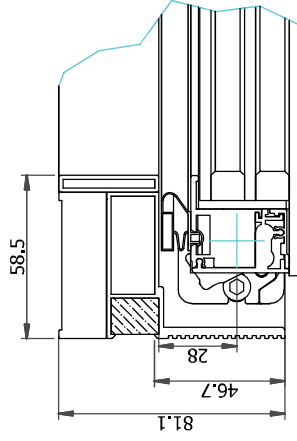
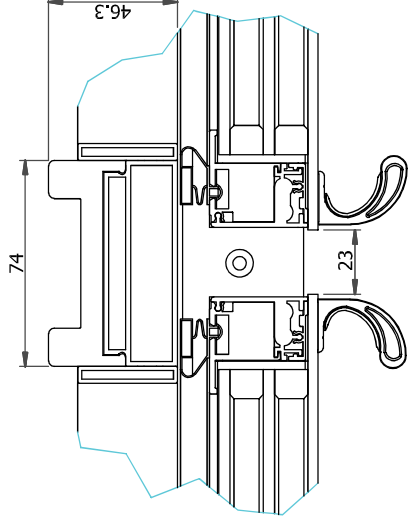


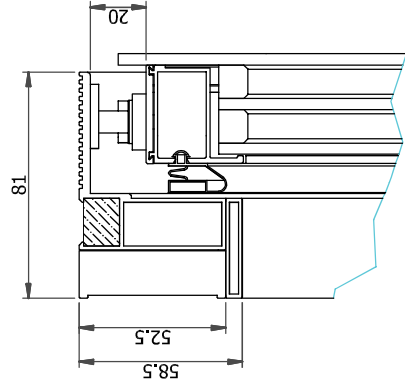
PARTICULAR B



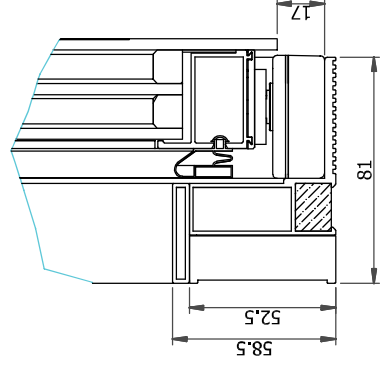
PARTICULAR C



PARTICULAR E



PARTICULAR F



GLASS DOOR

Swing door made of "0 Energy" safety triple glass

Silk screened external glass layer

Internal glass antifog treatment

UNI 12150 and UNI 23953 class 3 complying component

0.7 Ug insulated glass

76% Light transmission

97% Colour rendering

Patented adjustable self closing device 500.000 cycles tested

MASTER FRAME

Natural gas defrosting technology

LED Equipped or LED Prewired configuration

Uni 23953 Class 3 tested components

Maintenance free