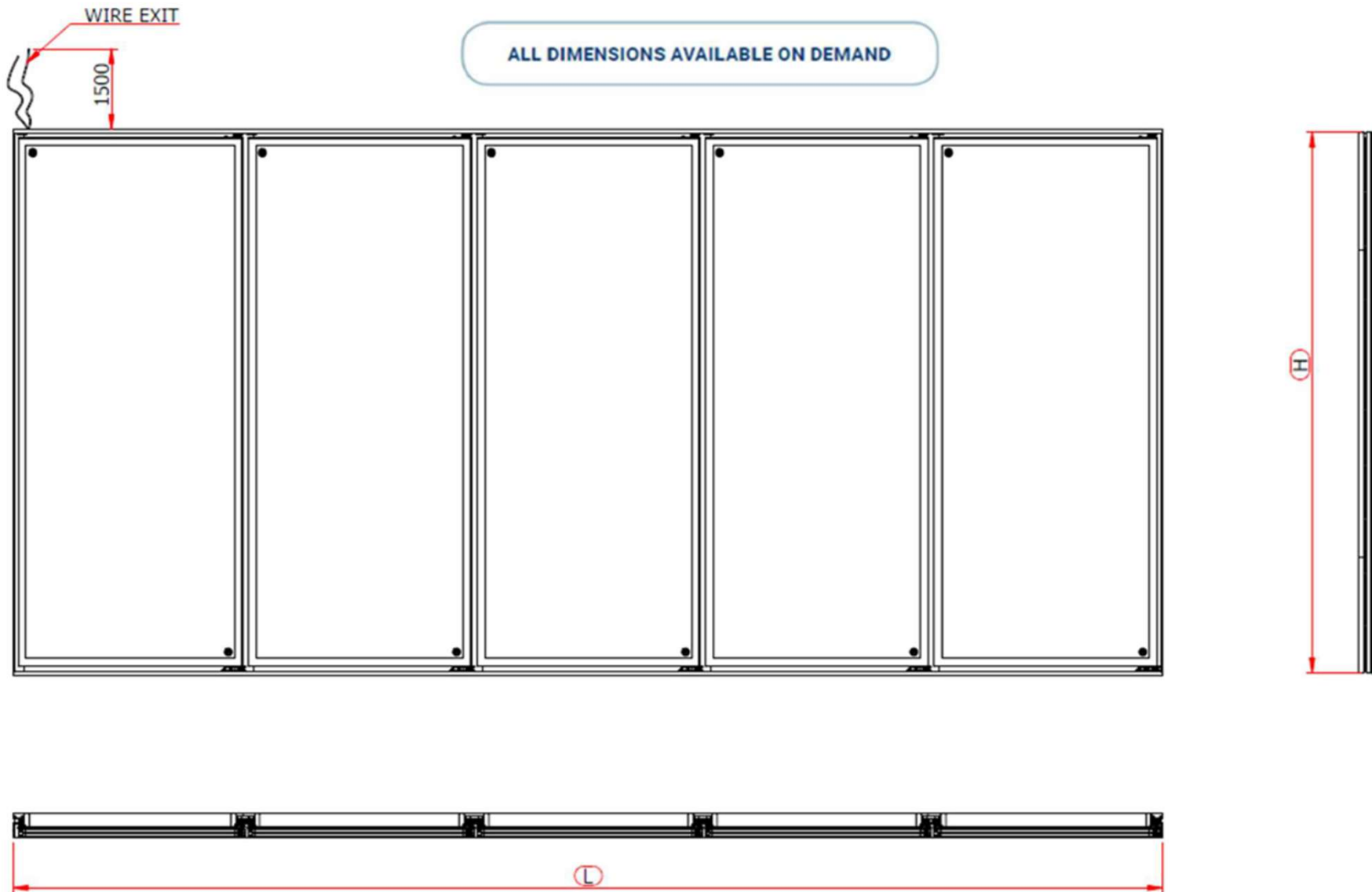


# ICEGUARD Extra Low Energy Line Up



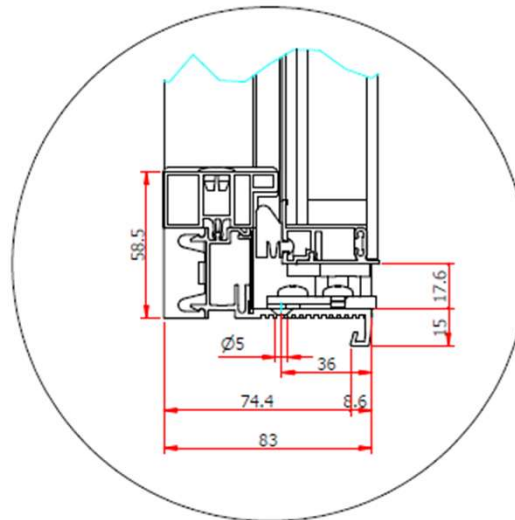
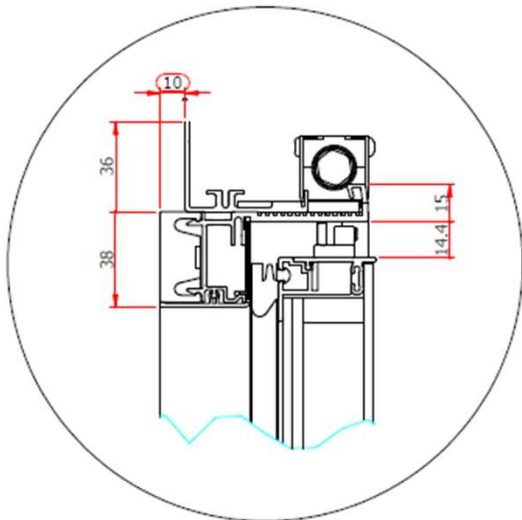
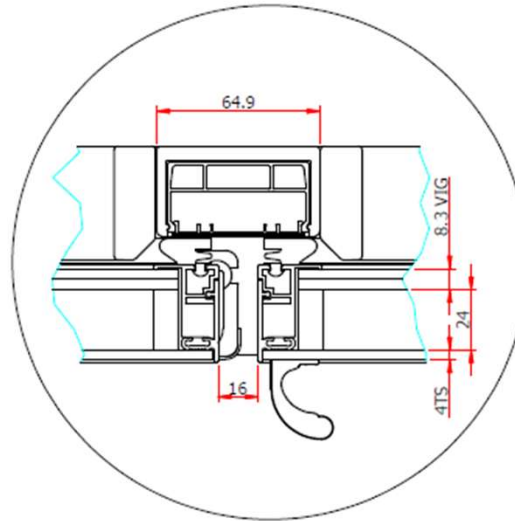
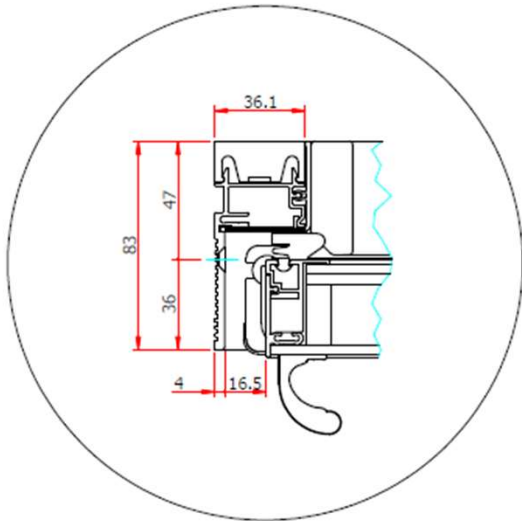
Extra Energy Saving Line-Up System with Full Glass Doors for freezing displays



# ICEGUARD Extra Low Energy Line Up



Extra Energy Saving Line-Up System with Full Glass Doors for freezing displays



## 0 ENERGY ALUMINIUM FRAMED GLASS DOOR

Full Glass door with customizable digital silk screen

Special Vacuum Insulated Glass Unit according to UNI-EN 12150-1 standard

Ug 0,4 w/m<sup>2</sup>°K insulated glass unit

Internal glass surface antifog protected

5% products visibility increase

PVC and Aluminium combined frame

"0 Energy" door complying with UNI 23953-2 Class 3 requirements

Stylish design optimised by full height or short grip handle

Reversible door, left to right hand

Adjustable self-closing action by torsion bar

Manual open wide door retainer

## LOW ENERGY MASTER FRAME

40% heating power reduction v/s standard heating configuration

5% products visibility increase

Frame compliant to UNI 23953-2 Class 3

Silver satin aluminium and black colour available

Frame compatible with Aluminium Framed or Full Glass Doors by TGD

Available configurations: 1, 2, 3, 4 and 5 openings

Led on board or led pre-wired configuration available

